

Roller brake tester for heavy-duty vehicles

Complete integrated solution
PC box | 27" touch screen
Compact, ergonomic totem PTI and garage software: guided procedure
Separate bi-block chassis on pit or not Vehicle weighing
Hot-dip galvanized steel frame
Steel rollers with high-adhesion epoxy coating
Double chain transmission Controlled roller locking system Soft start
Stainless steel presence sensor rollers
Interconnectable or independent
Remote update and control Data security | OTC LAN (depending on version)
Tablet stand and storage Wifi router
Shifting plate (optional) Play plates (optional)

Compact blocks that can be integrated into all types of civil engineering.

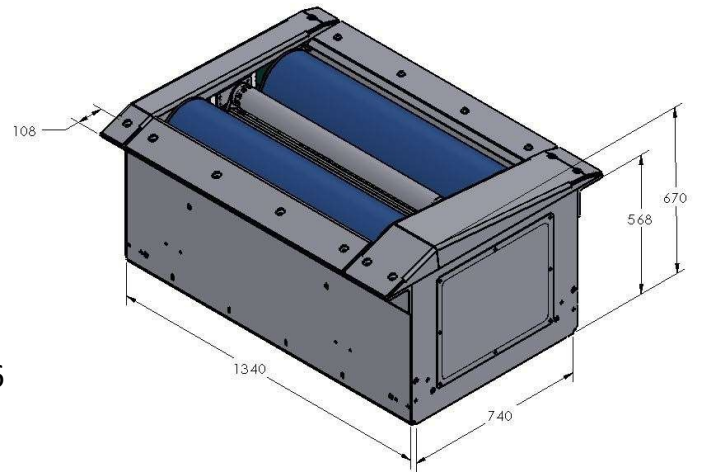
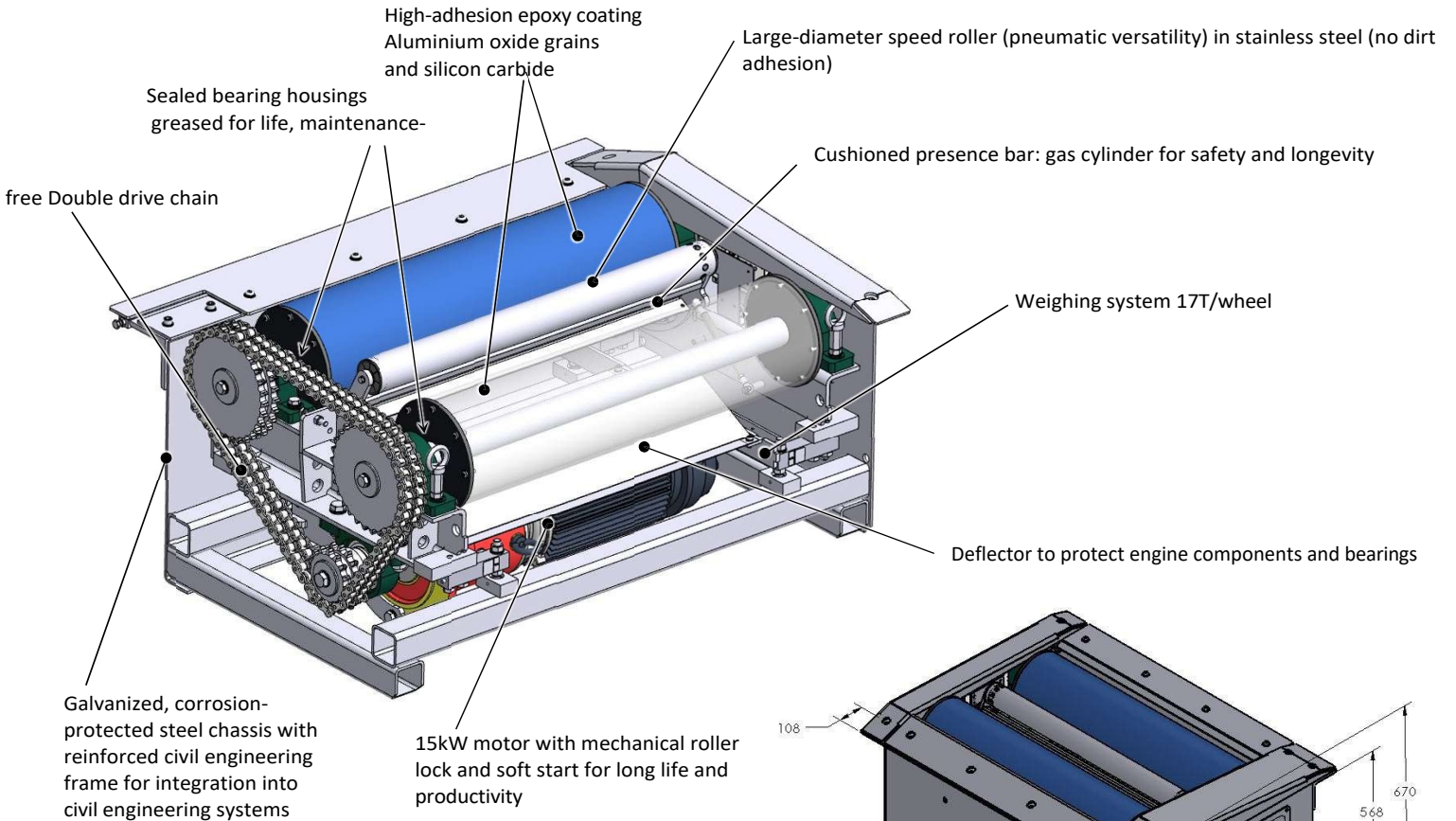


SPECIFICATIONS:

Max. axle load: 20 T Motors: 15 KW Test speed:
2.5 km/h
Measurement range: 0-4,000
daN Braking distance: 80-280 cm
Power supply: 400V - 50 Hz - 80A curve D
Weighing range: 0 to 34T

OPTIONS :

CAP9100-SLIP: Shifting plate
CAP9200PEH: Play plates CAP91XX-
OTRL: Remote display CAP9680-RF:
Recessed idler rollers



Machine safety solutions compliant with: NFR 63-706



High security :
Powder-coated steel
Anti-crossing plate
Warning beacon



Pit safety :
Infrared barrier
Mounted on swing gate



Secure remote control :
with emergency stop

More information
www.capelec.com



1130 rue des Marels | Parc Eureka | 34000 Montpellier | France | Tel (33)4 67 156 156 | Fax (33)4 67 224 224

ISO 9001 : 2015
n° 11728